

G.1pc

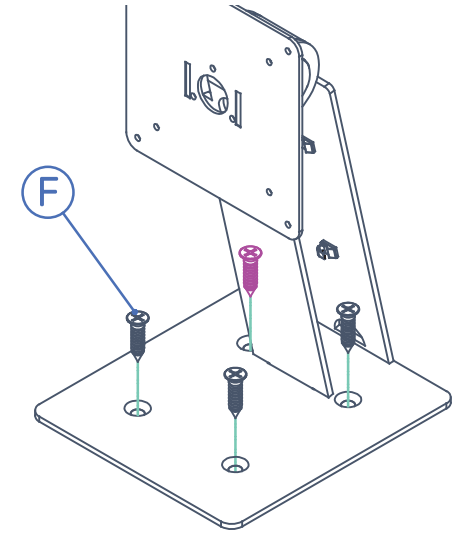
H.M6 1pc

D.M4x6 3pcs

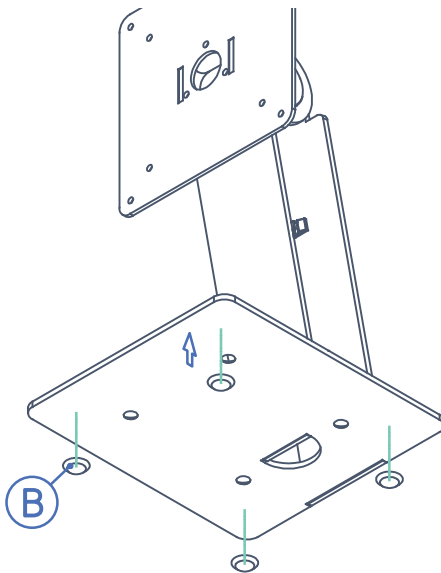
E.M4x6 4pcs

F.1/4"x1" 4pcs

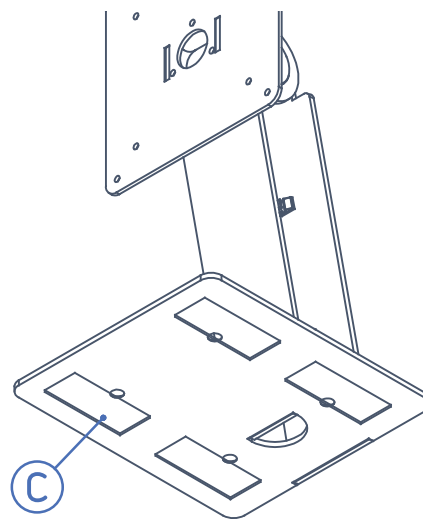
1a. Fixing to counter with screws



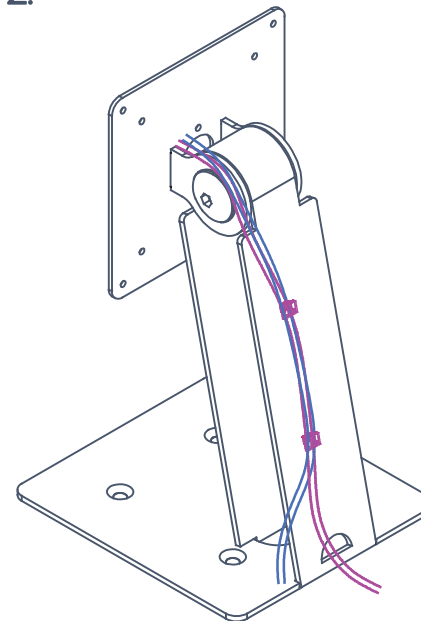
1b. Freestanding on counter



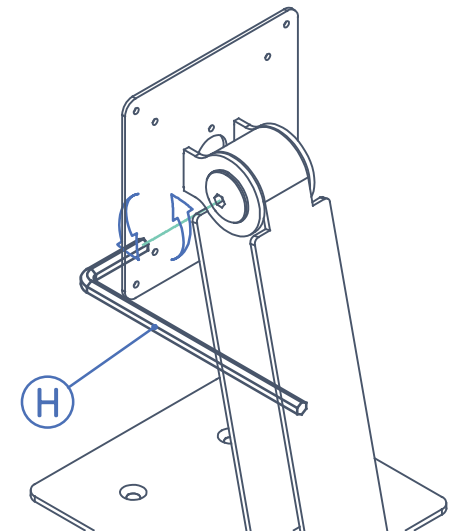
1c. Fixing to counter with adhesive

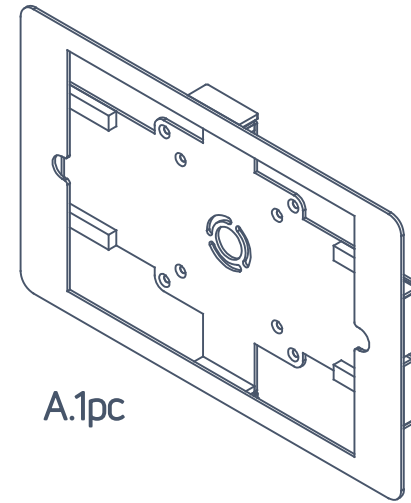
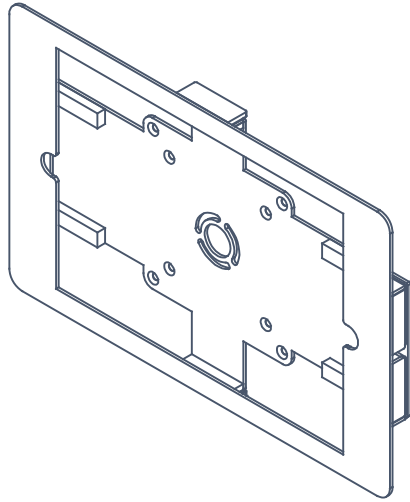


2.



3. Adjust torque to desired stiffness

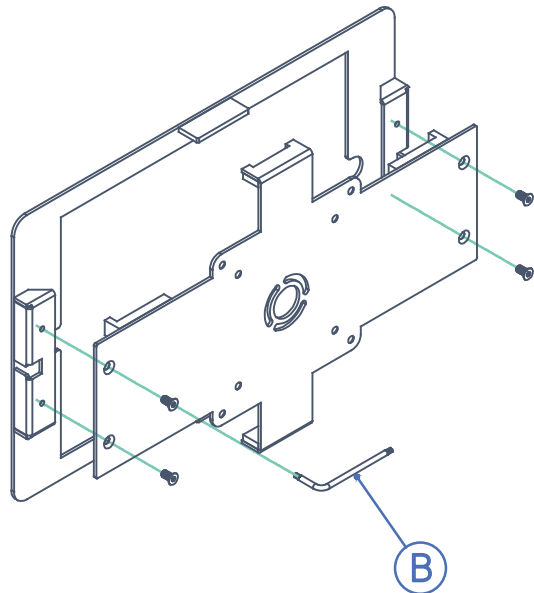




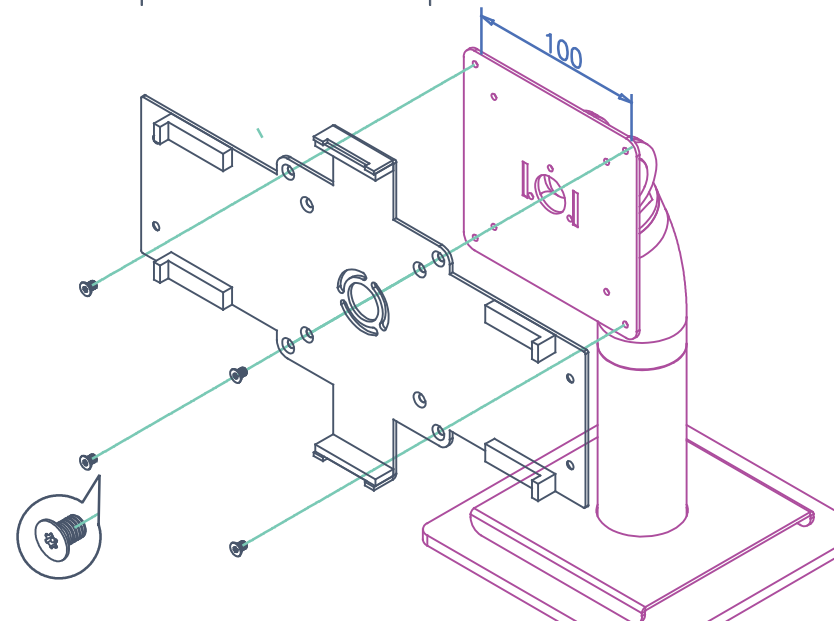
A.1pc

B.1pc

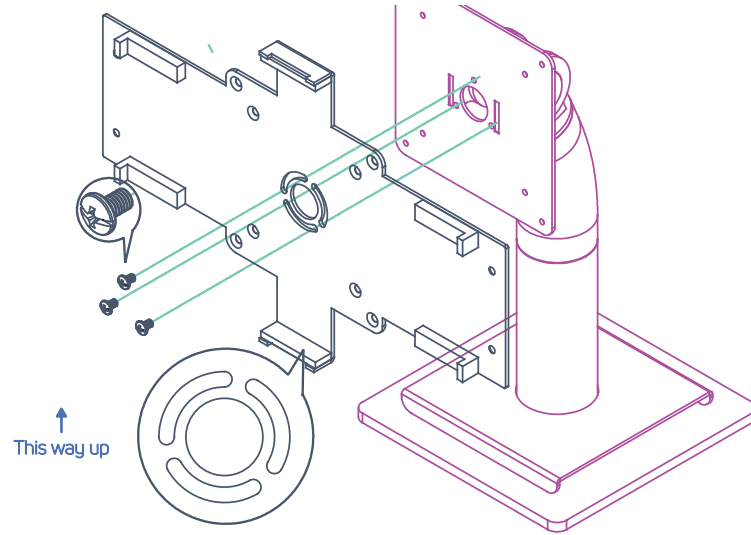
1.



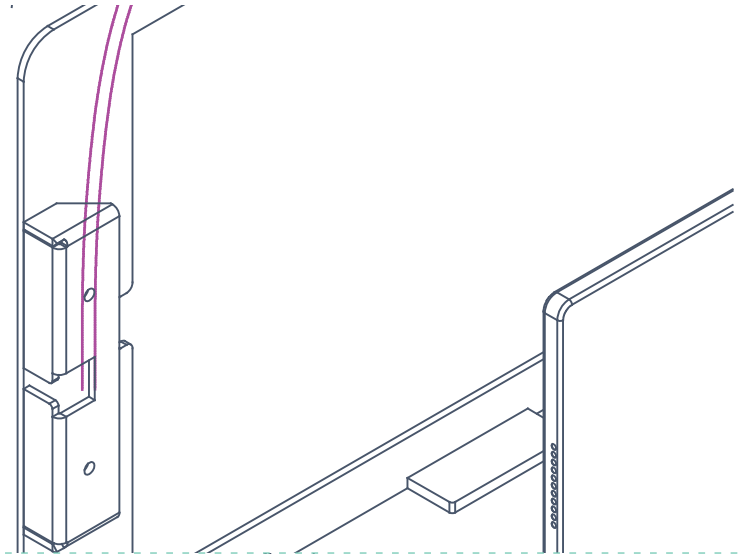
2a. For fixed portrait or landscape orientation.



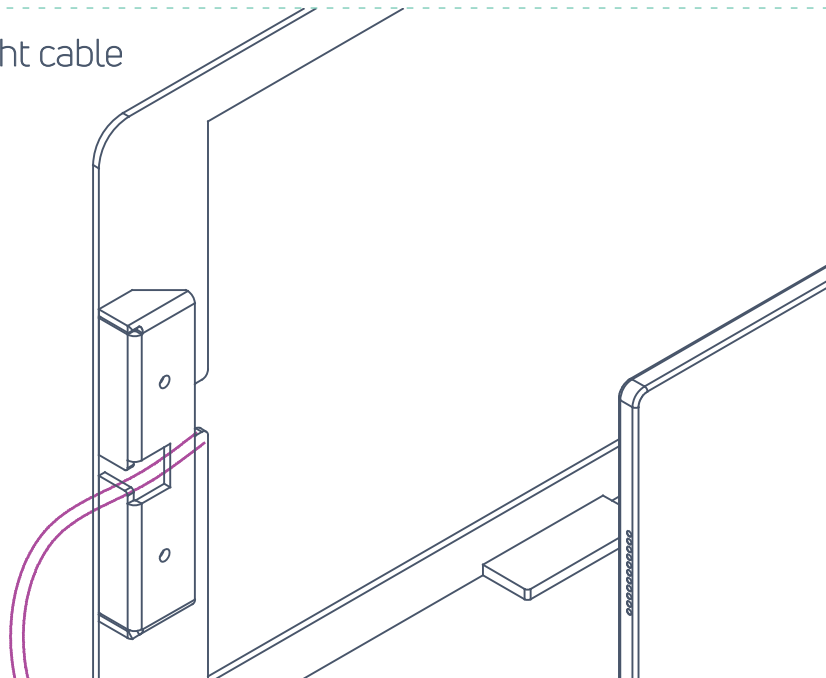
2b. To allow rotation between portrait & landscape orientation



3a. For right angle cable



3b. For straight cable



4.

